

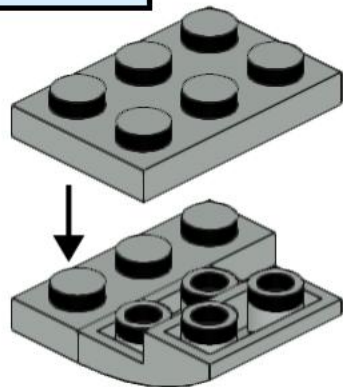
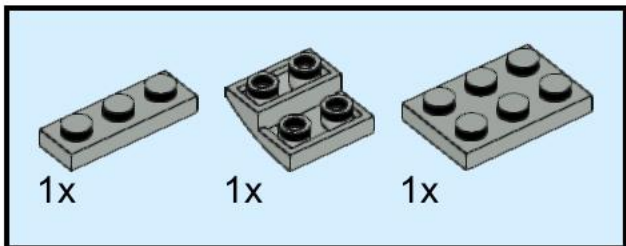


4 CYLINDER ENGINE & STAND

DIGITAL BRICK INSTRUCTIONS



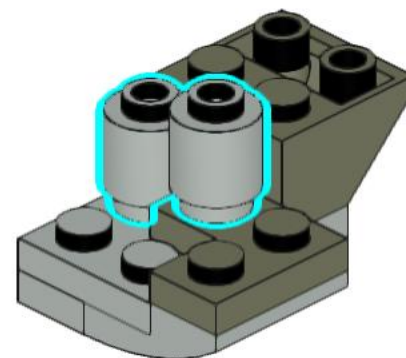
1



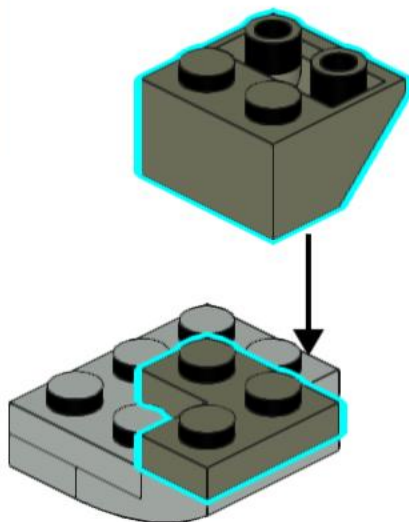
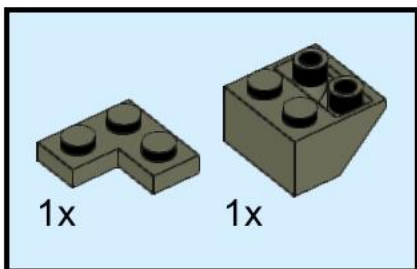
3



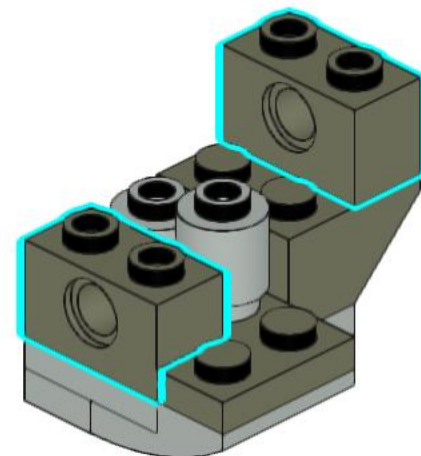
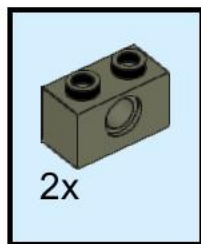
IT'S **All** ABOUT The Build



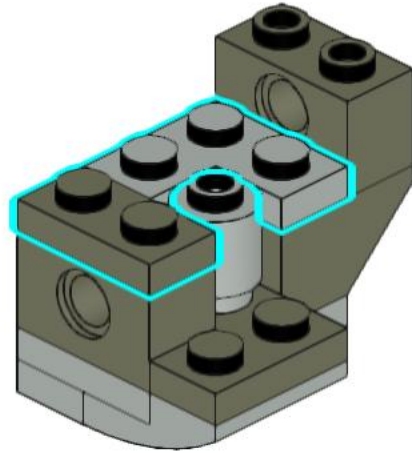
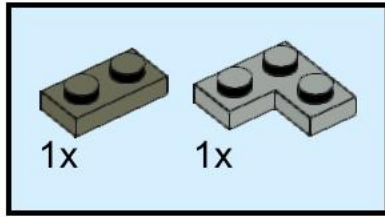
2



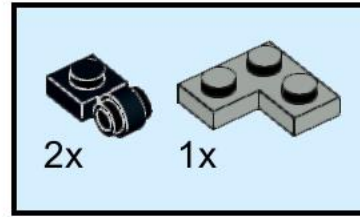
4



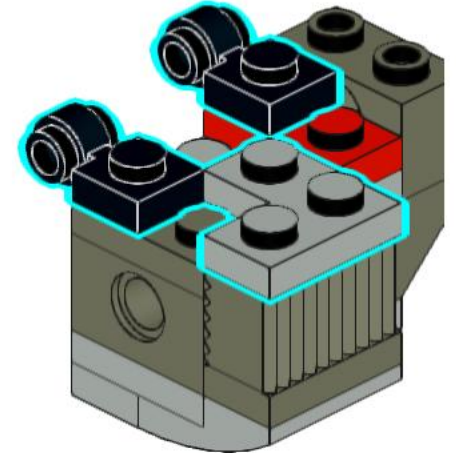
5



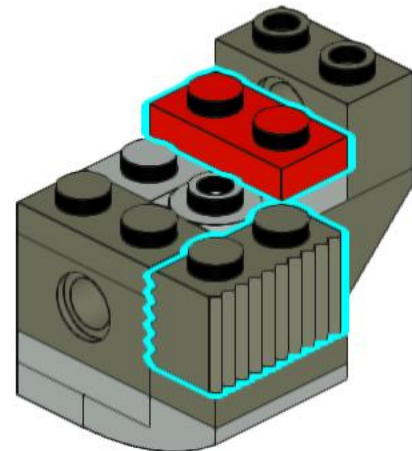
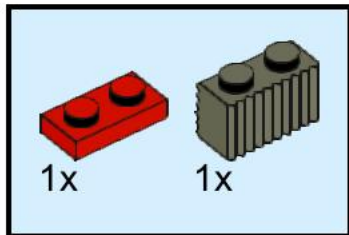
7



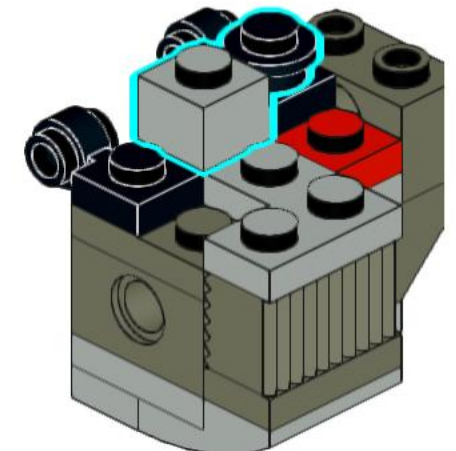
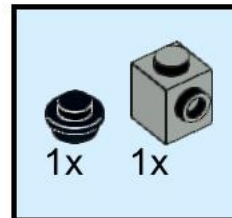
IT'S
All ABOUT
The Build



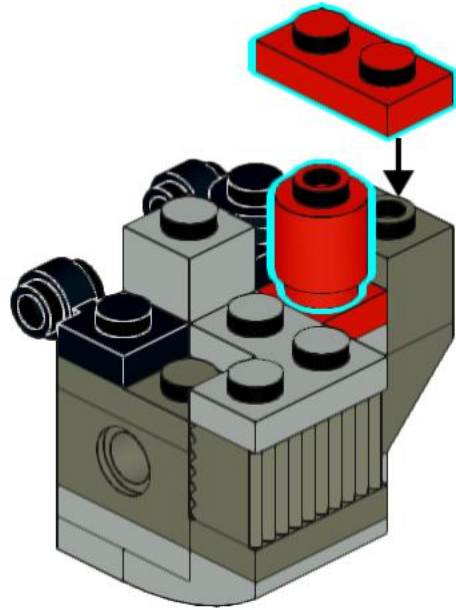
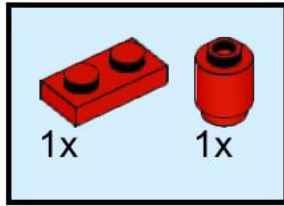
6



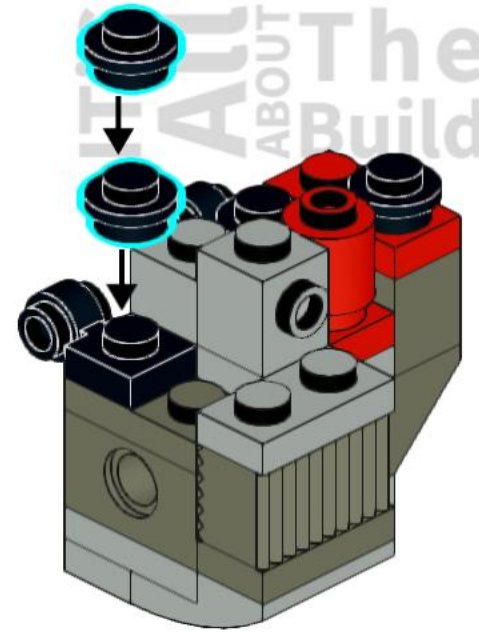
8



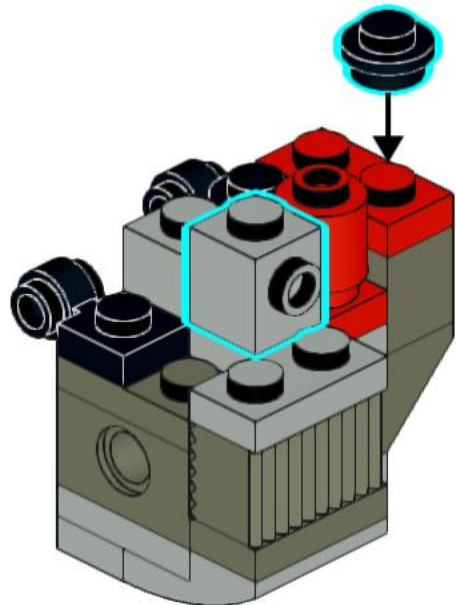
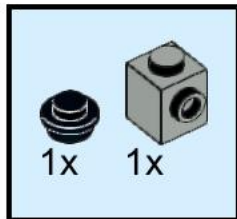
9



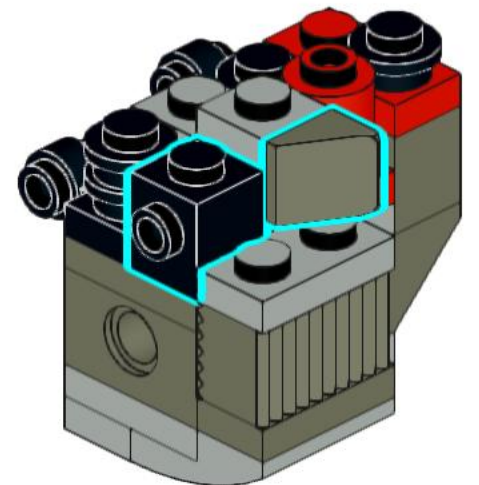
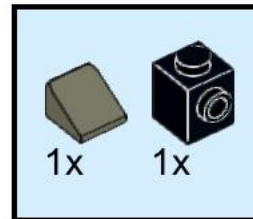
11



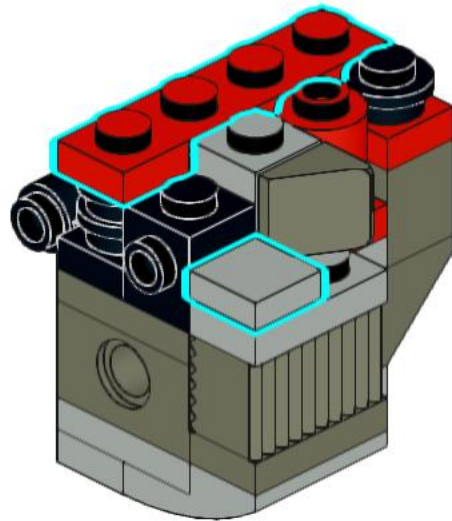
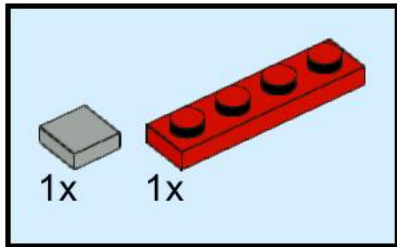
10



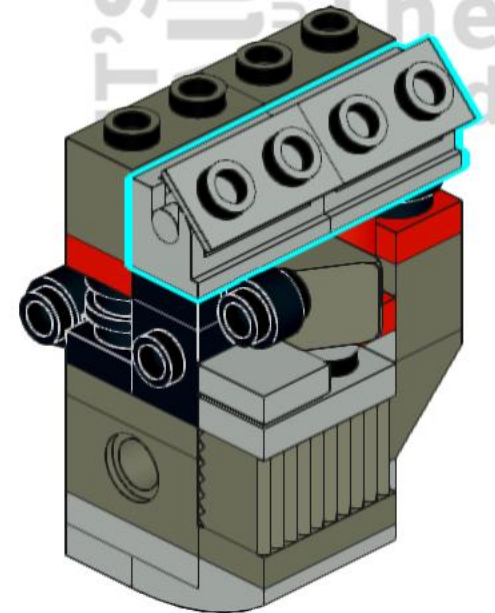
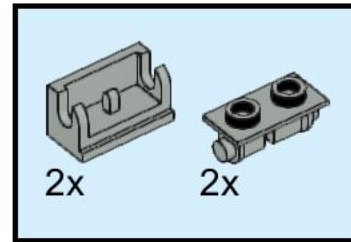
12



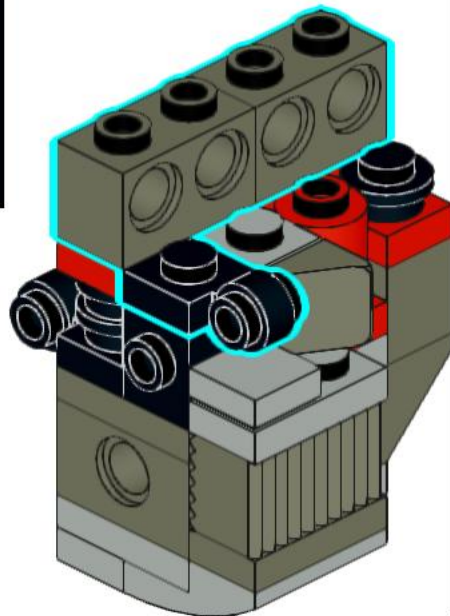
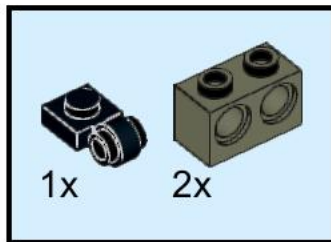
13



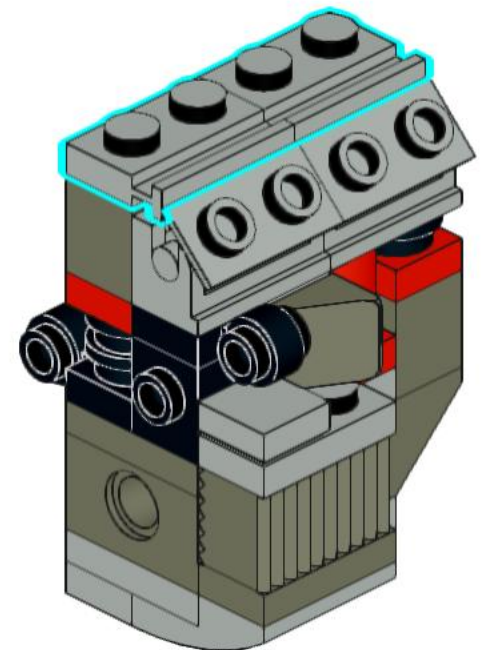
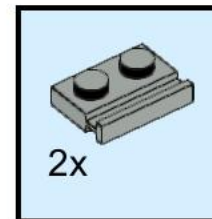
15



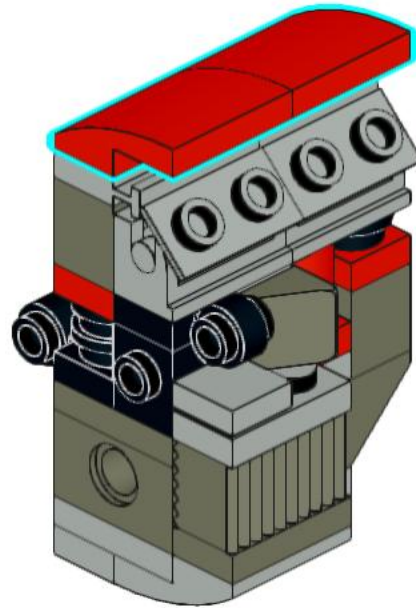
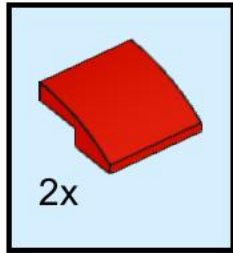
14



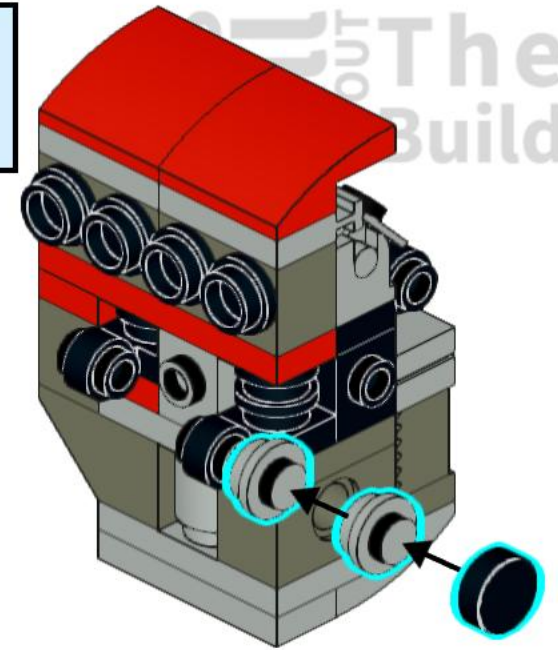
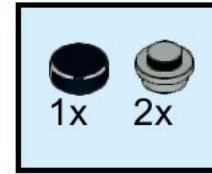
16



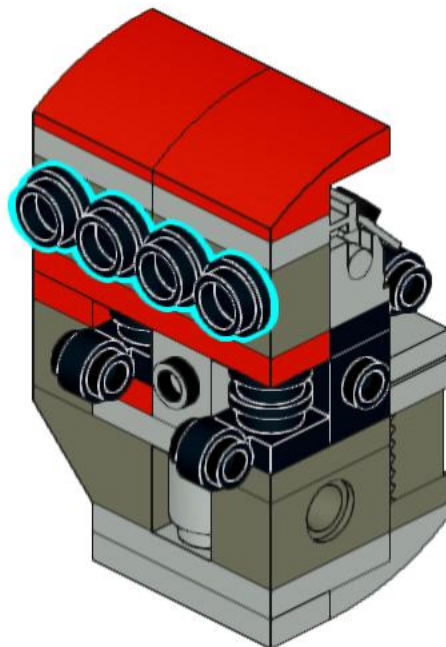
17



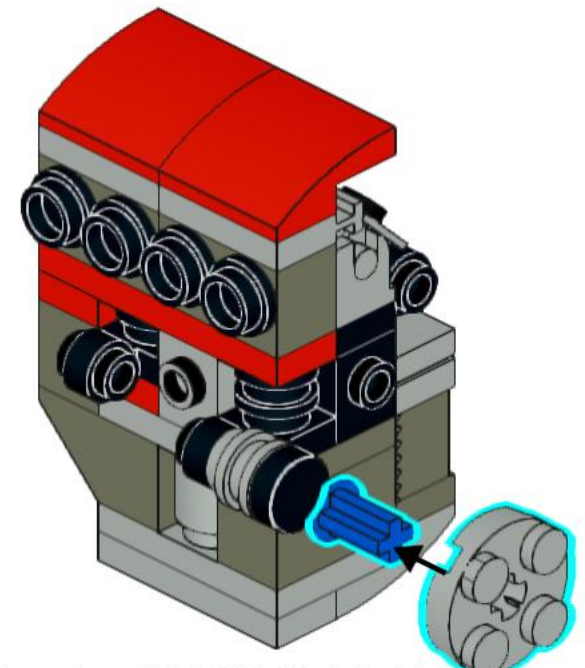
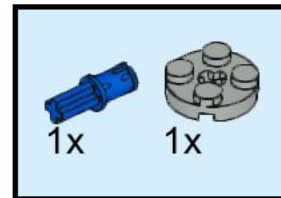
19



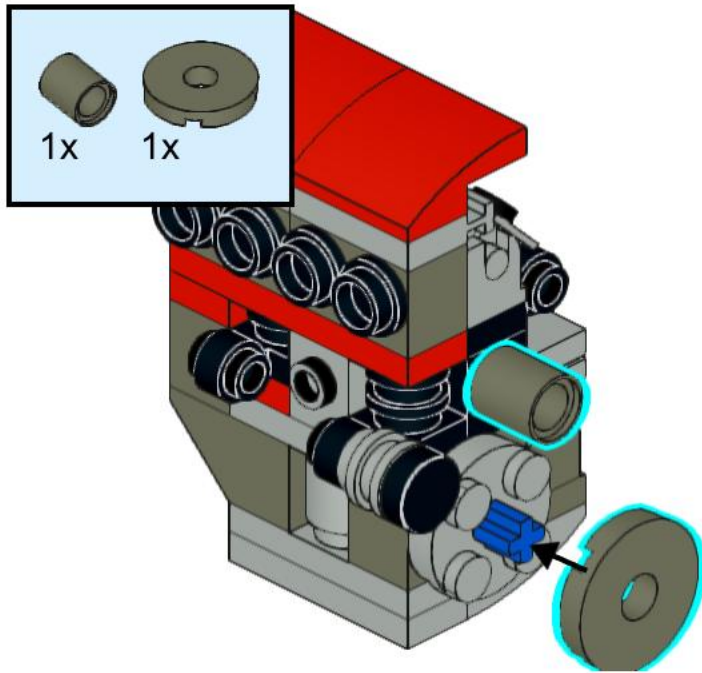
18



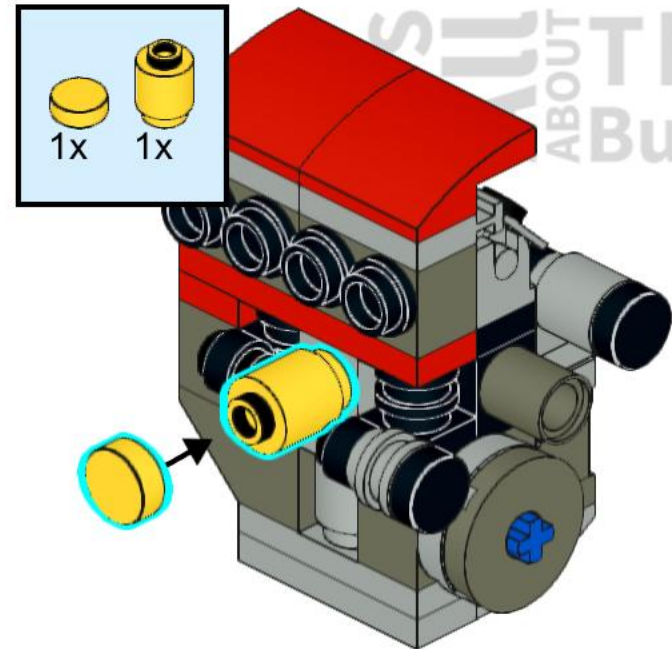
20



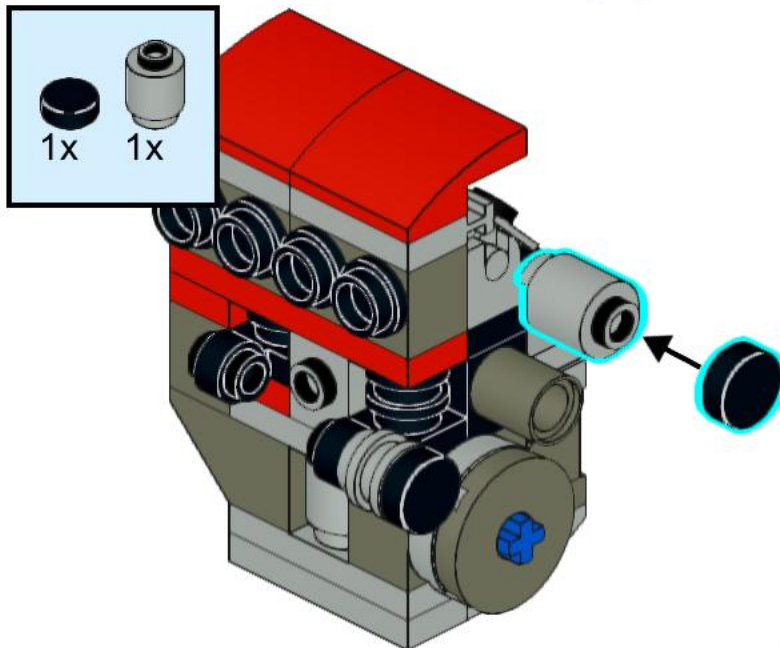
21



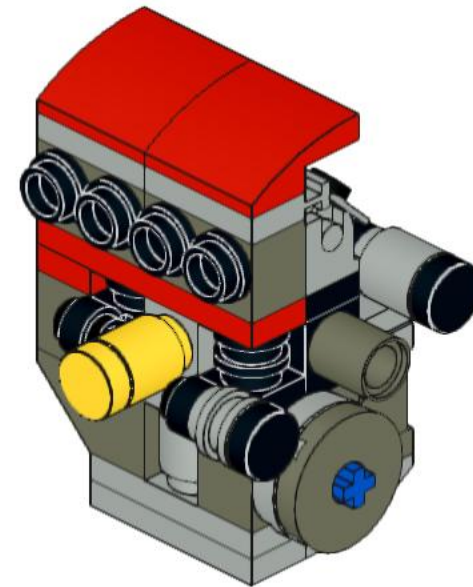
23



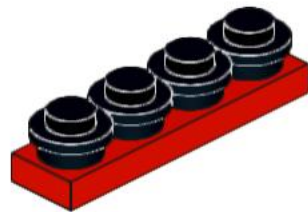
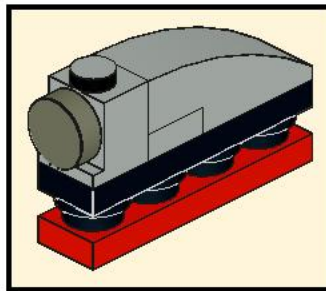
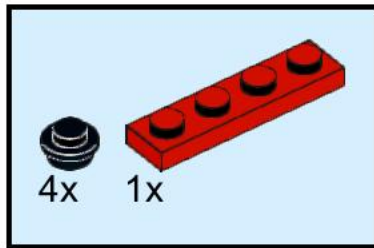
22



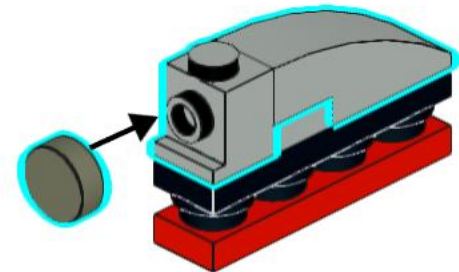
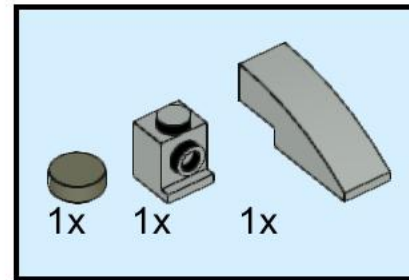
24



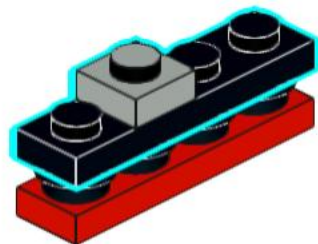
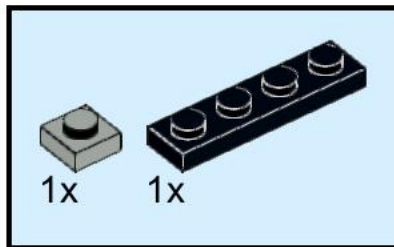
25



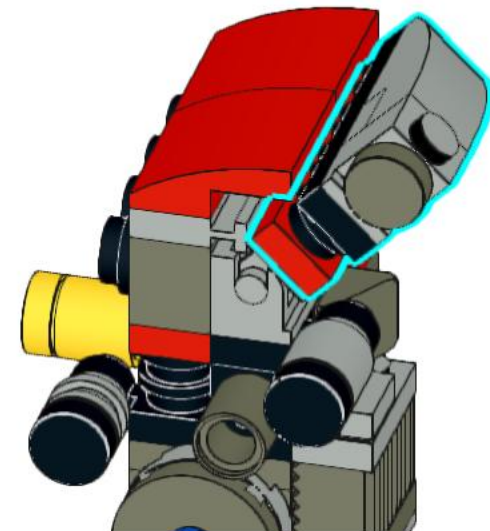
27



26

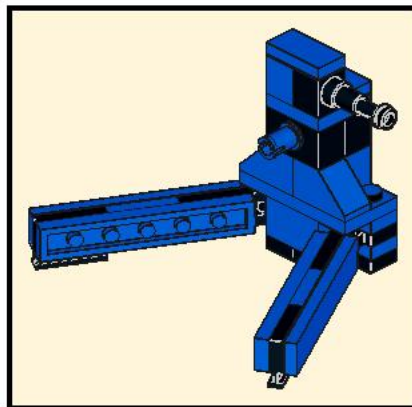
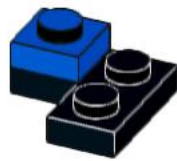
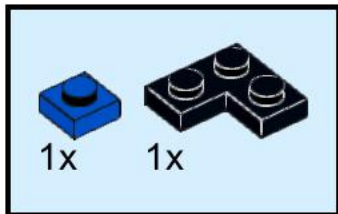


28

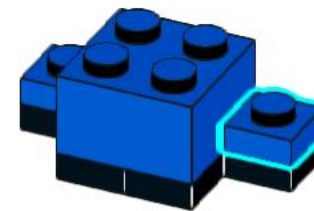
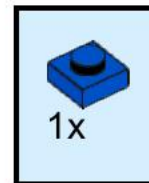


All ABOUT The Build

29

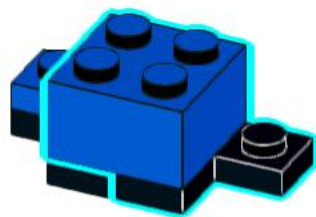
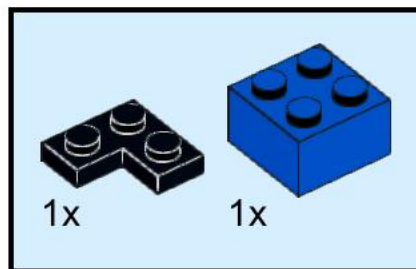


31



IT'S
All
ABOUT
The
Build

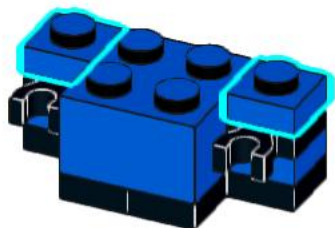
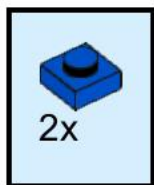
30



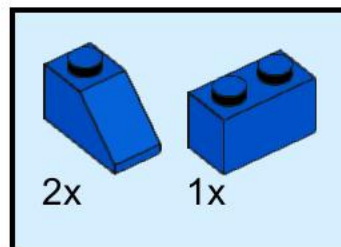
32



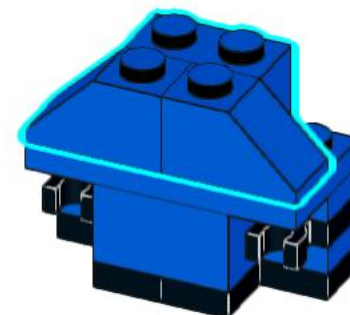
33



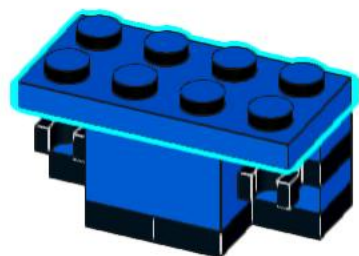
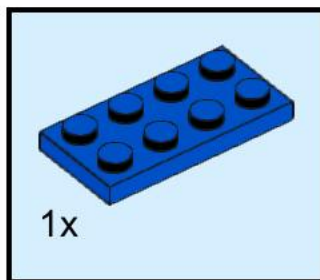
35



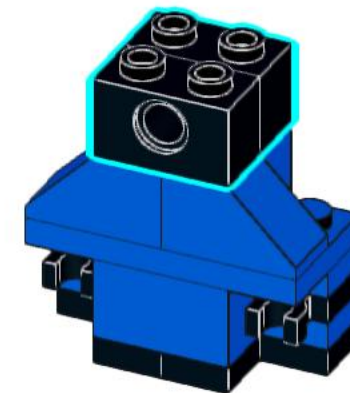
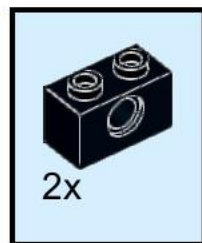
IT'S ALL ABOUT THE BUILD



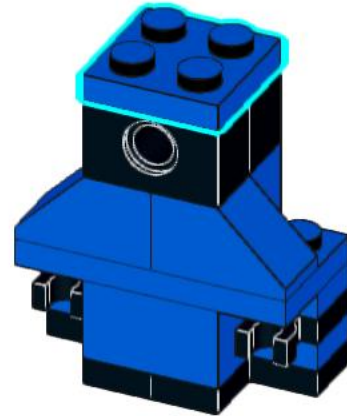
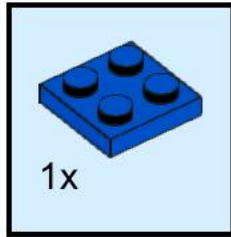
34



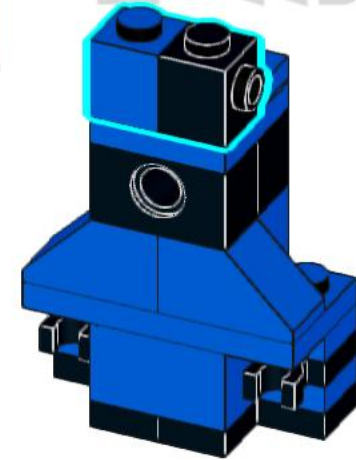
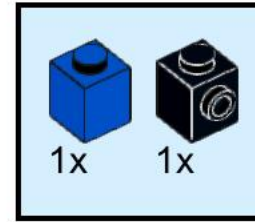
36



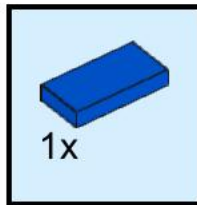
37



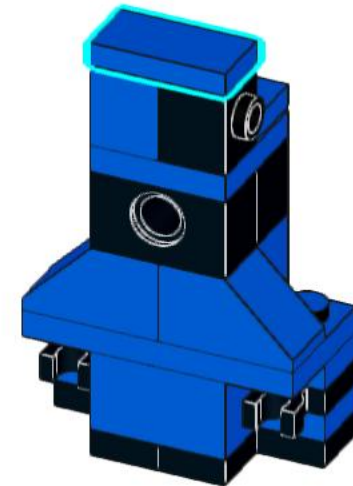
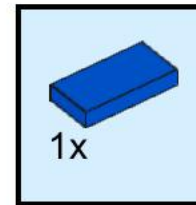
39



38

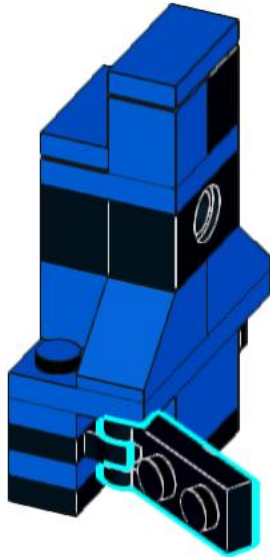
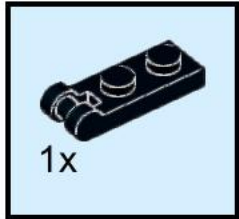


40

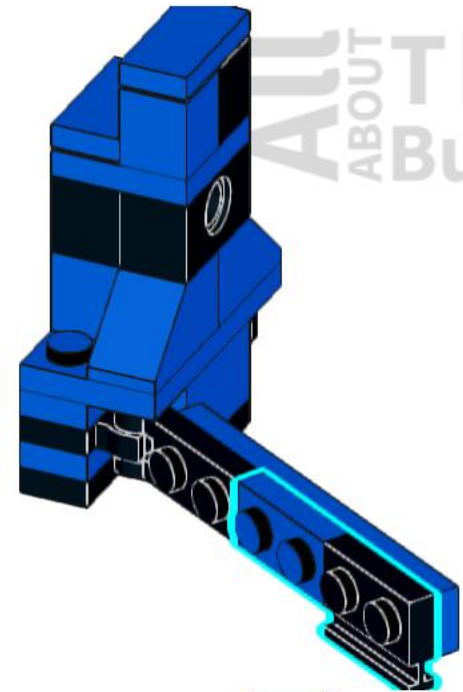
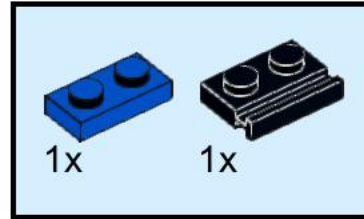


IT'S ALL ABOUT The Build

41

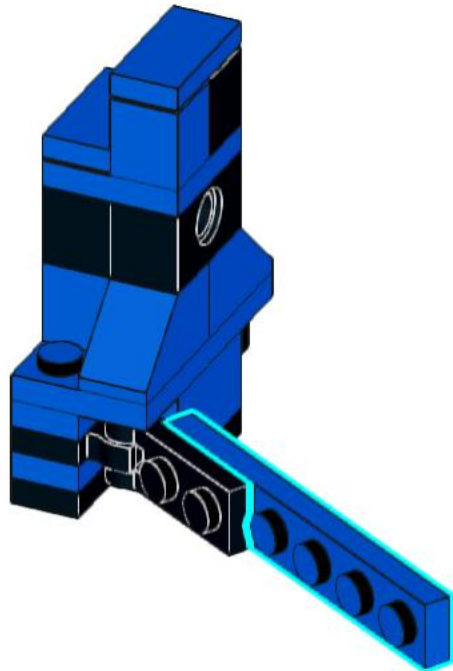
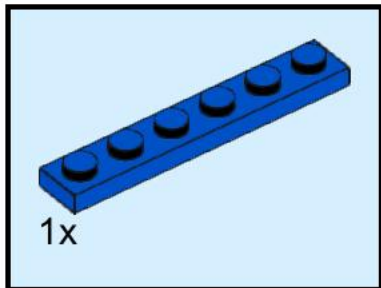


43

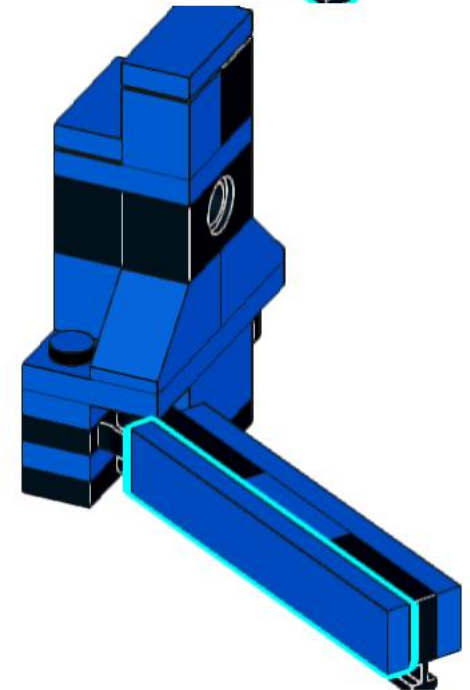
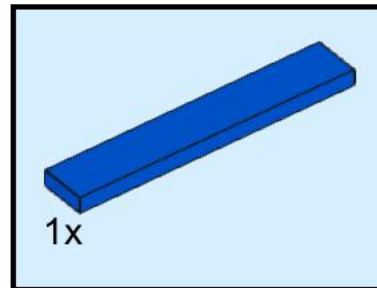


All About The Build

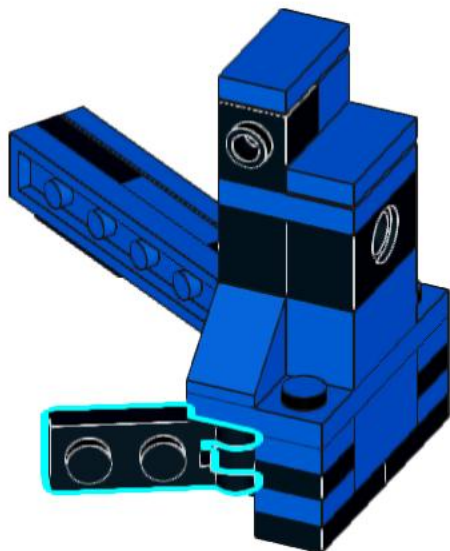
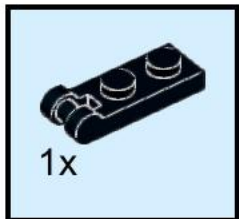
42



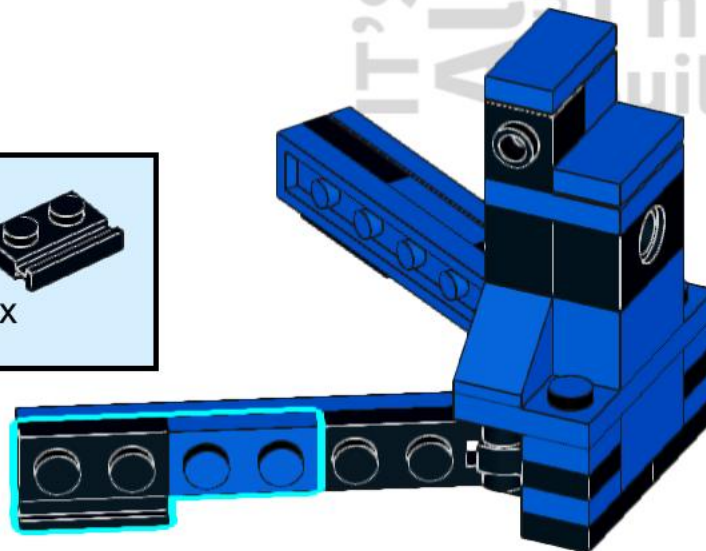
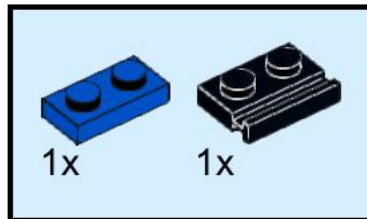
44



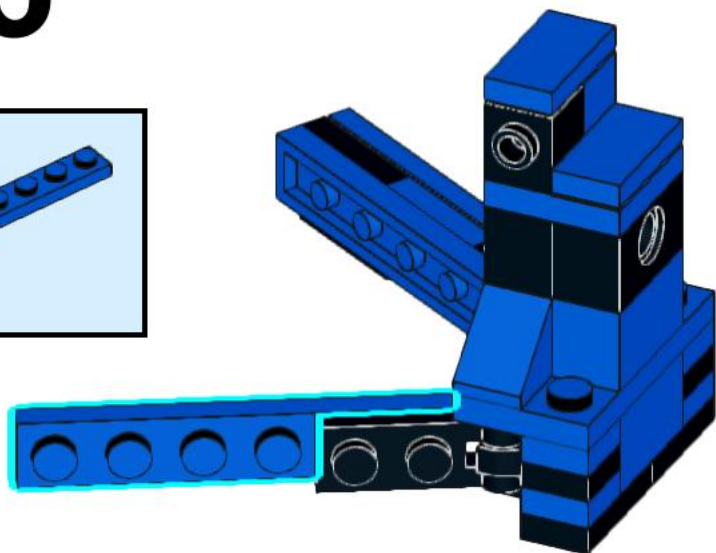
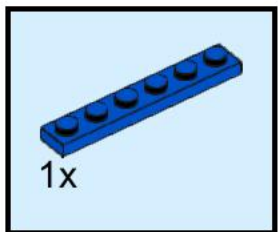
45



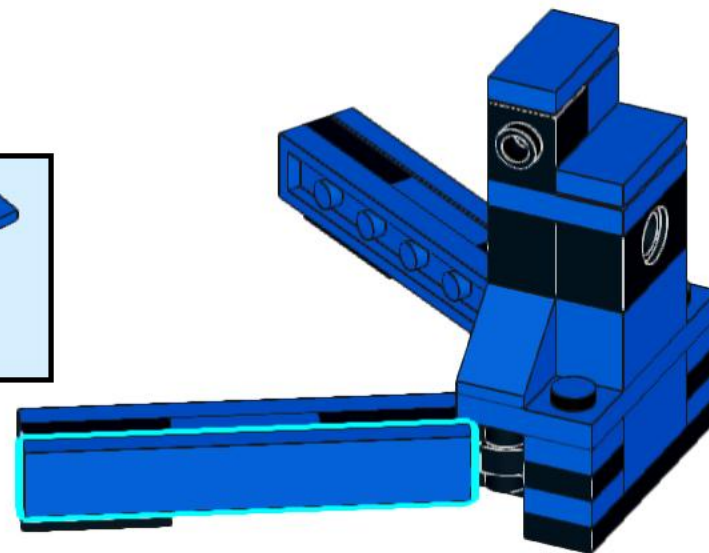
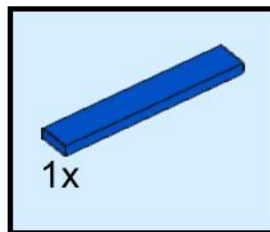
47



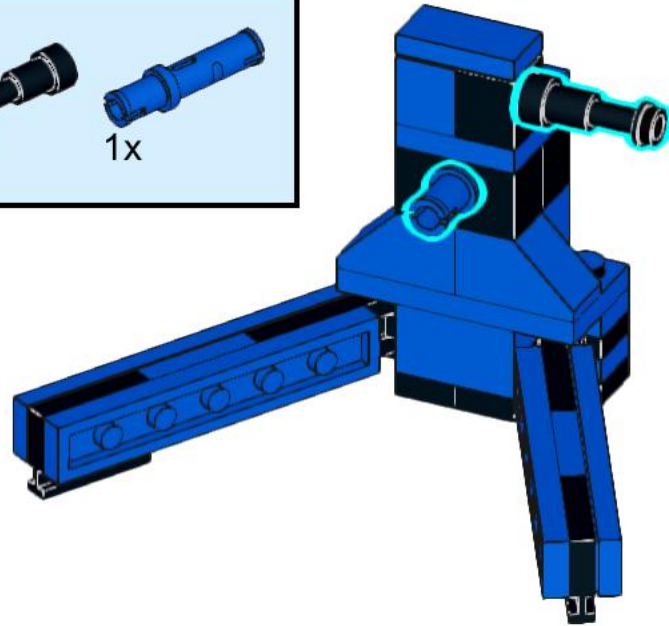
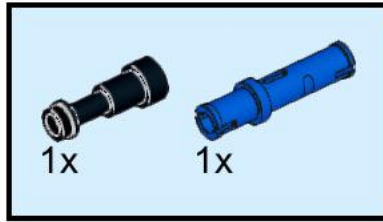
46



48



49



IT'S
All
ABOUT
The
Build

50

